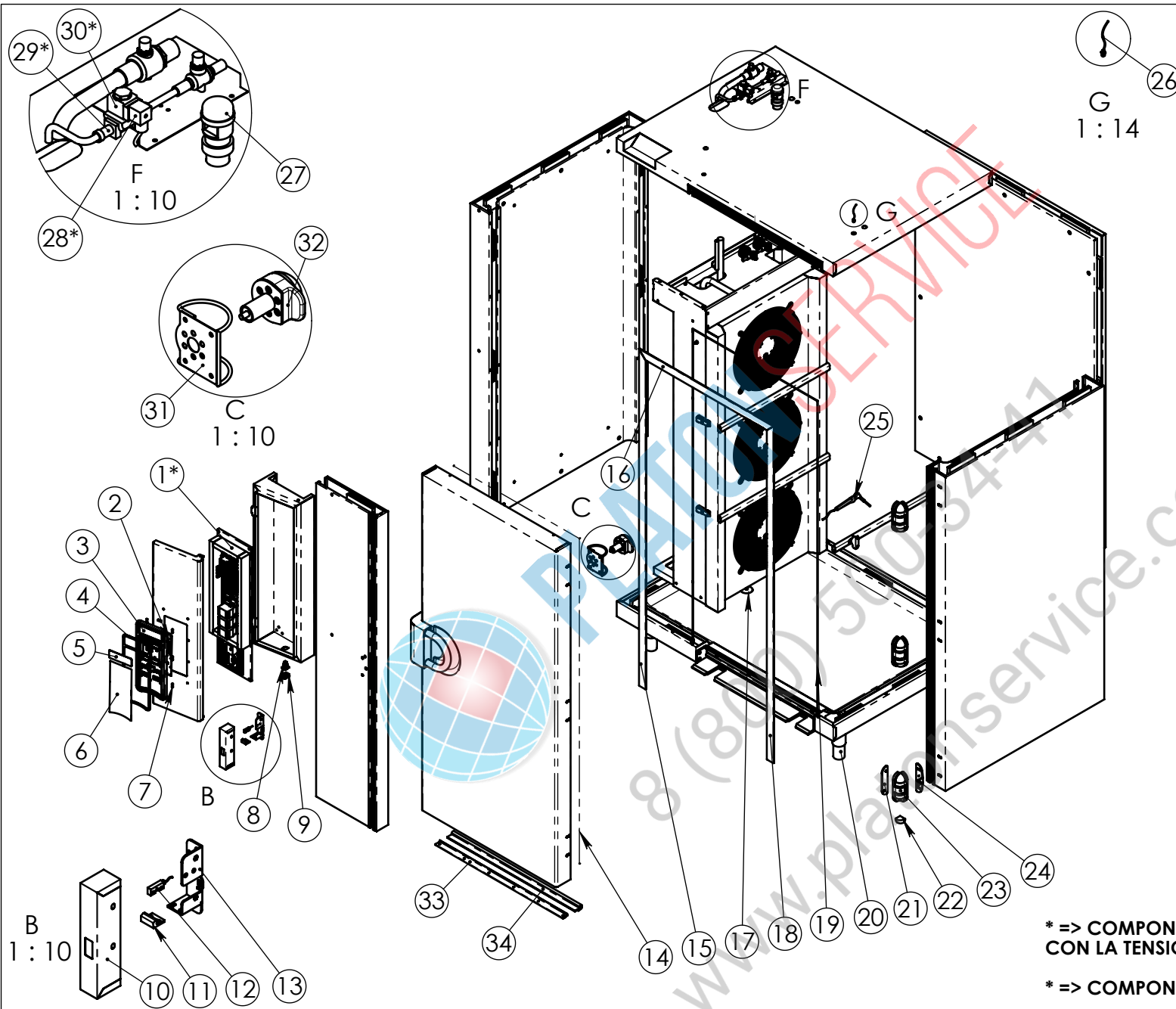




- MF130.2 ST**
- DISEGNI ESPLOSI e LISTA RICAMBI
 - ESPLODED VIEWS and SPARE PARTS LIST
 - DIBUJOS DE DESPIEZOS Y LISTADO REPUESTOS
 - EXPLOSIONSZEI CHNUNGEN AND ERSATZTEILELISTE





POS.	CODICE	Q.TA'
1*	41M20210200	1
2	3600810	1
3	1890600	1
4	68140810	1
5	4380100020	1
6	4380100010	1
7	3240250	9
8	3563270	1
9	3563275	1
10	68203960	1
11	67206335	1
12	3240100	1
13	67206410	1
14	1011380	1
15	4805290	1
16	4805270	1
17	40071080	1
18	4805310	1
19	2341603	1
20	40080081	4
21	1890360	6
22	1890340	3
23	1890310	3
24	68203990	2
25	3805510	1
26	3805540	1
27	21000015	1
28*	23425050	1
29*	2340058	1
30*	2341018	1
31	67209320	1
32	1890210	1
33	66207490	1
34	1010620	0,9

* => COMPONENTI CHE VARIANO CON LA TENSIONE DI ALIMENTAZIONE (VEDI TABELLA)

* => COMPONENTS DEPENDING ON POWER SUPPLY (SEE TABLE)

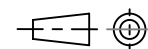
REV.	DESCRIZIONE MODIFICA	AUTORE	DATA
E			
D			
C			
B			
A			

IRINOX

SCALA: 1:28

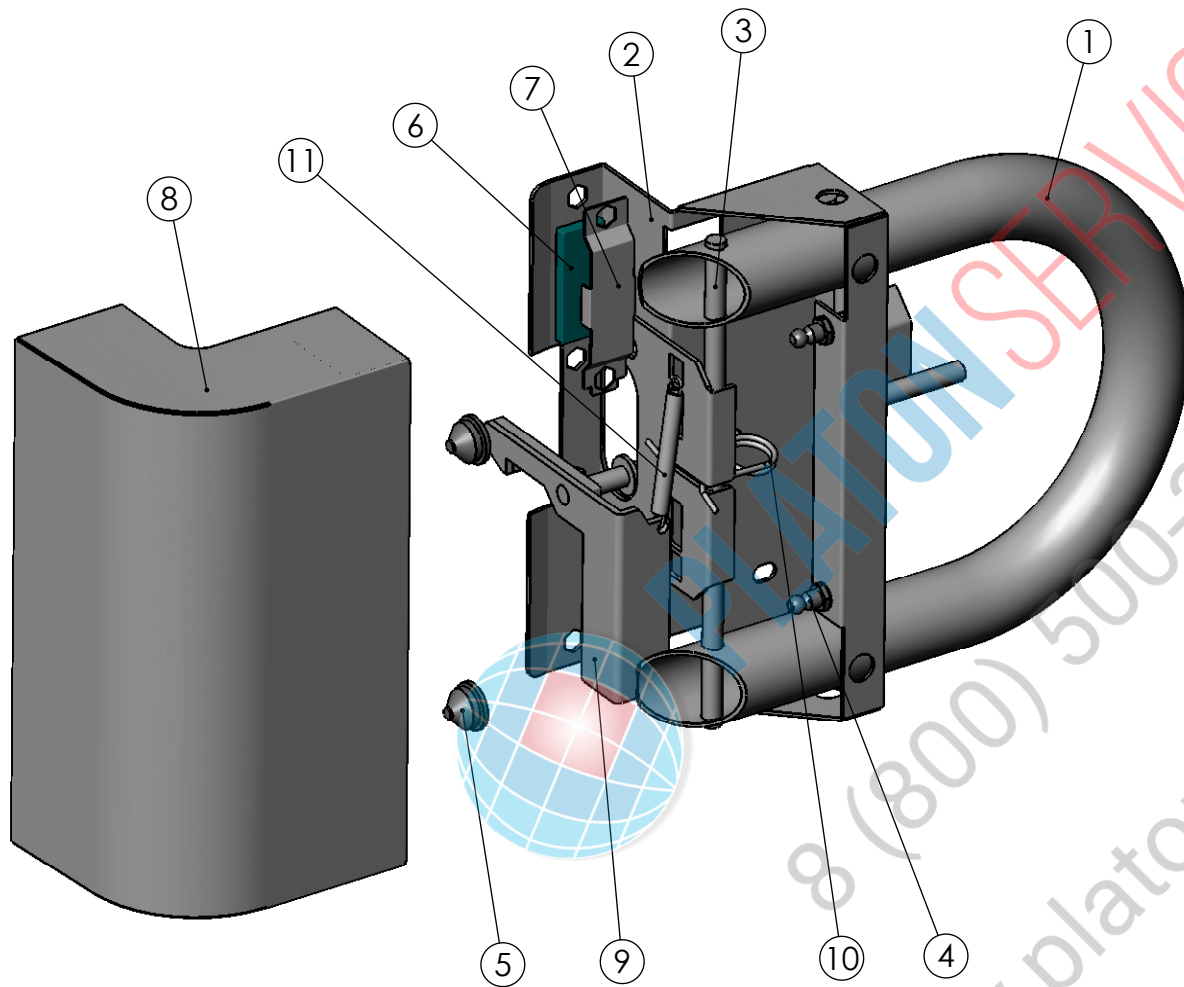
MODELLO: **MF130.2 ST-SR**

CODICE:



DESCRIZIONE:

ABBATTITORE MF130.2 ST-SR



POS.	CODICE	Q.TA'
1	40079080	1
2	68204020	1
3	68203980	2
4	40072050	2
5	40072060	2
6	3240220	1
7	68204100	1
8	68203970	1
9	68204060	1
10	40071200	1
11	40071260	1

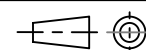
REV.	DESCRIZIONE MODIFICA	AUTORE	DATA
E			
D			
C			
B			
A			

IRINOX[®]

SCALA: 1:3

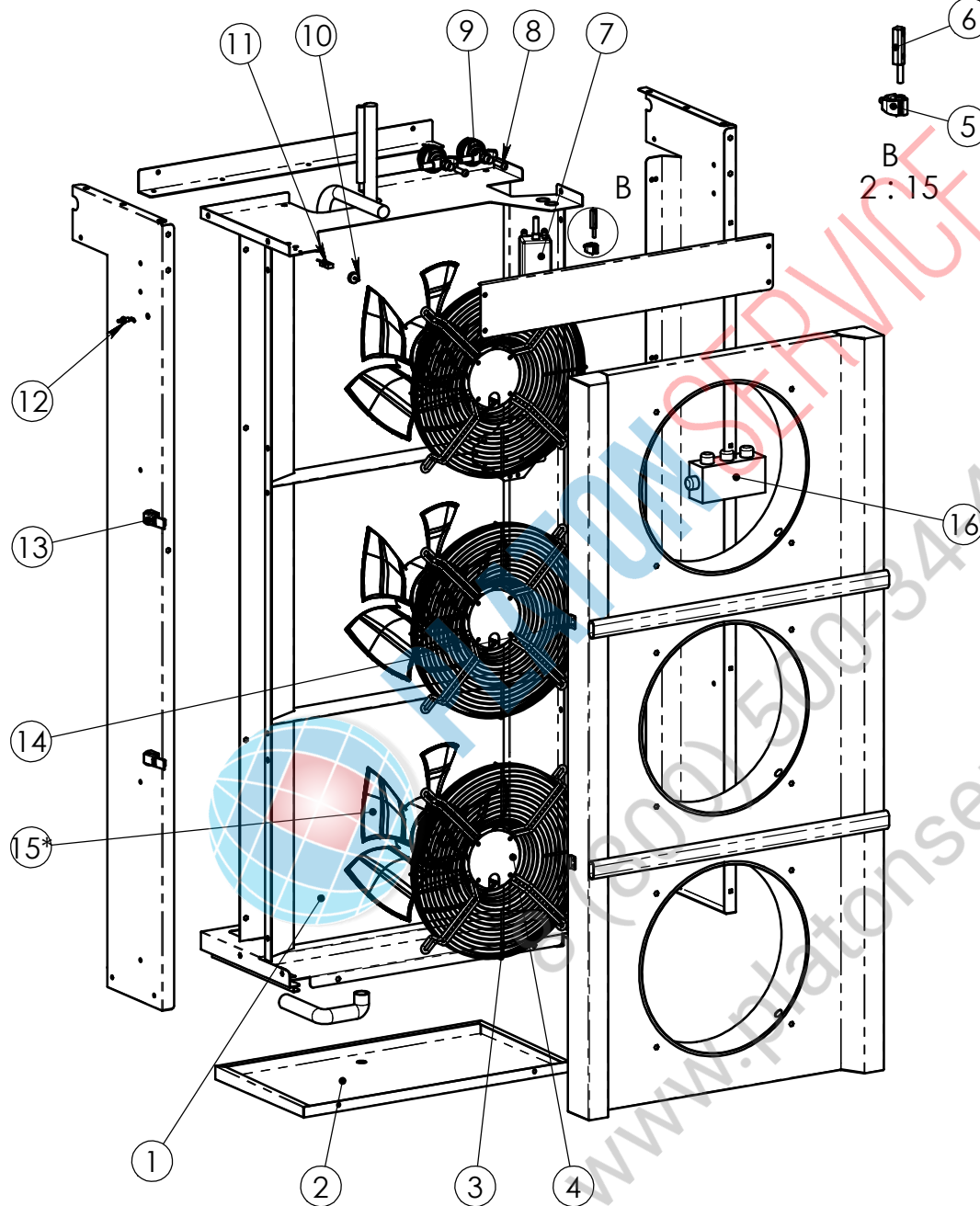
MODELLO: **COMUNE**

CODICE:



DESCRIZIONE:

ASSIEME MANIGLIA PORTA MF



POS.	CODICE	Q.TA'
1	40207100	1
2	68210810	1
3	2783510	3
4	68210550	3
5	1890242	4
6	1890244	4
7	3880400	1
8	2361005	2
9	23605051	2
10	3240202	1
11	3240100	1
12	3805140	1
13	1890175	2
14	1890170	2
15*	270344001	3
16	41M00000000	1

* => COMPONENTI CHE VARIANO
CON LA TENSIONE DI ALIMENTAZIONE (VEDI TABELLA)

* => COMPONENTS DEPENDING ON POWER SUPPLY (SEE TABLE)

E			
D			
C			
B			
A	sostituito magnete cod.3240200 con 3240202	buttazzi	11.07.2012
REV.	DESCRIZIONE MODIFICA	AUTORE	DATA

IRINEX®

SCALA: 1:15

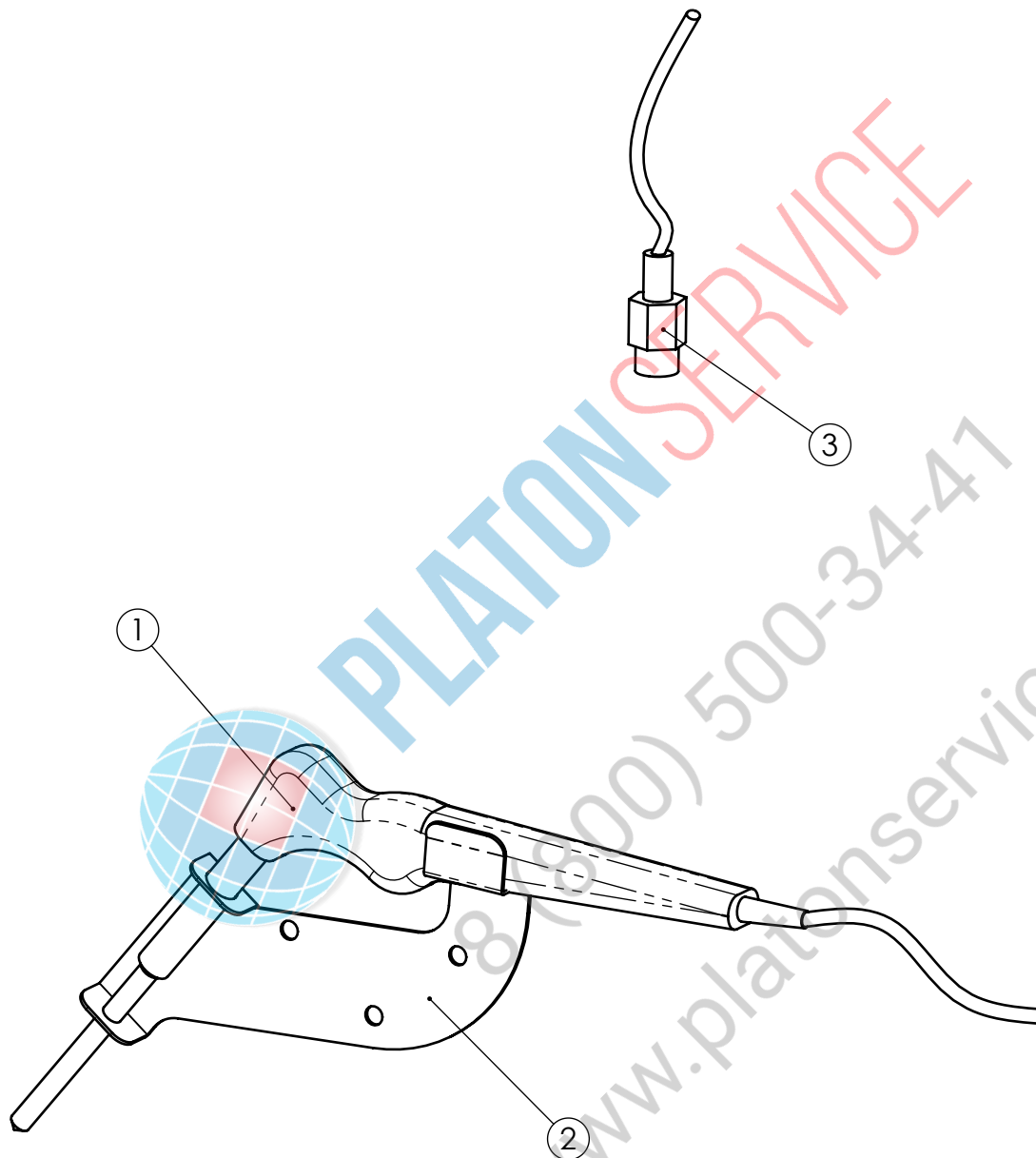
MODELLO: **MF130.2 ST**

CODICE:

DESCRIZIONE:

GRUPPO EVAPORATORE MF130.2 ST

POS.	CODICE	Q.TA'
1	3805530	1
2	67206405	1
3	3805020	1



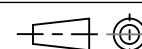
REV.	DESCRIZIONE MODIFICA	AUTORE	DATA
E			
D			
C			
B			
A			

IRINOX[®]

SCALA: 1:2

MODELLO:

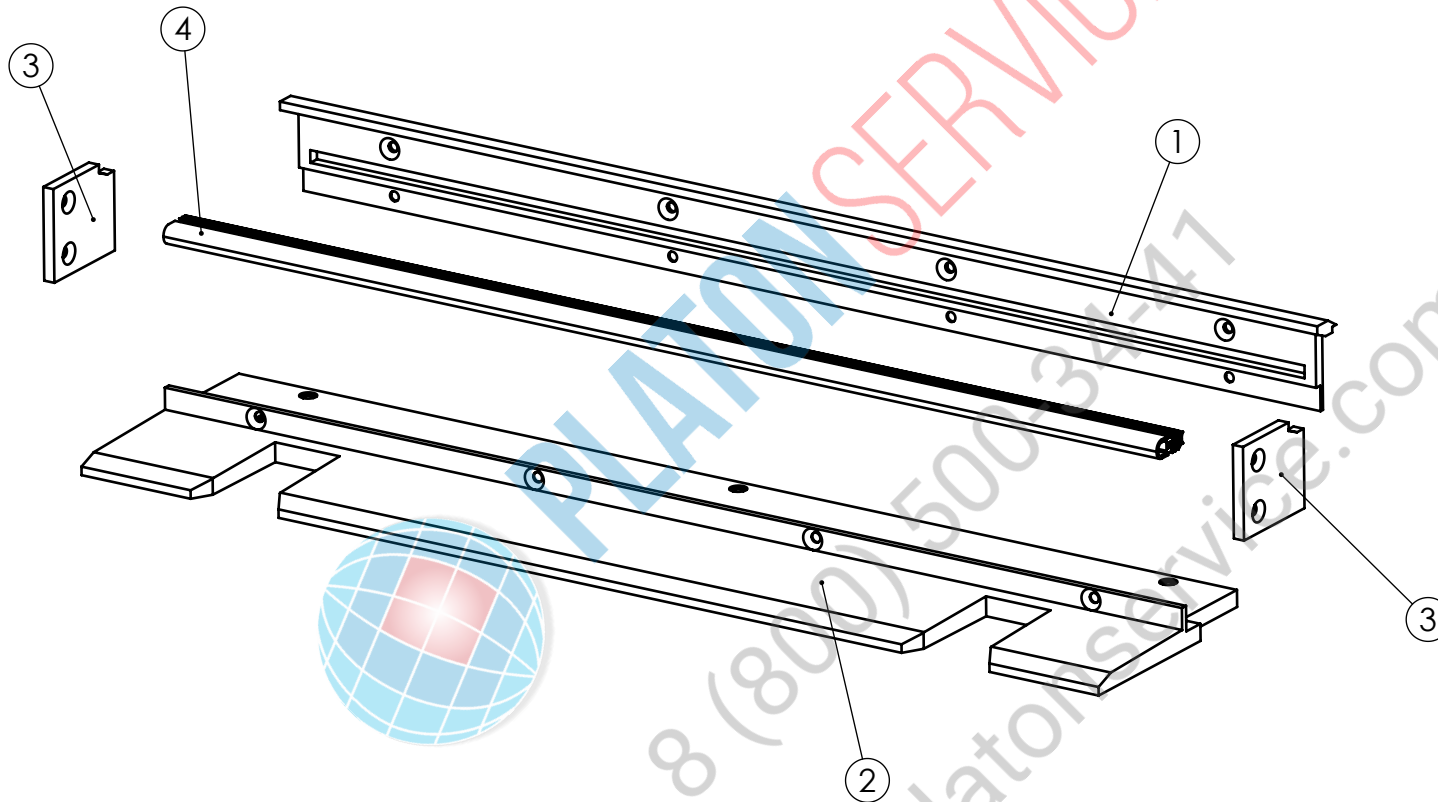
CODICE: **8M12011900**



DESCRIZIONE:

OPZ. Sonda cuore agg.1P. MF1T-2T-3T

POS.	CODICE	Q.TA'
1	67208481	1
2	67208486	1
3	67208499	2
4	1011070	0,8



E			
D			
C			
B			
A			
REV.	DESCRIZIONE MODIFICA	AUTORE	DATA

IRINOX[®]

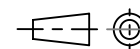
SCALA: 1:5

MODELLO:

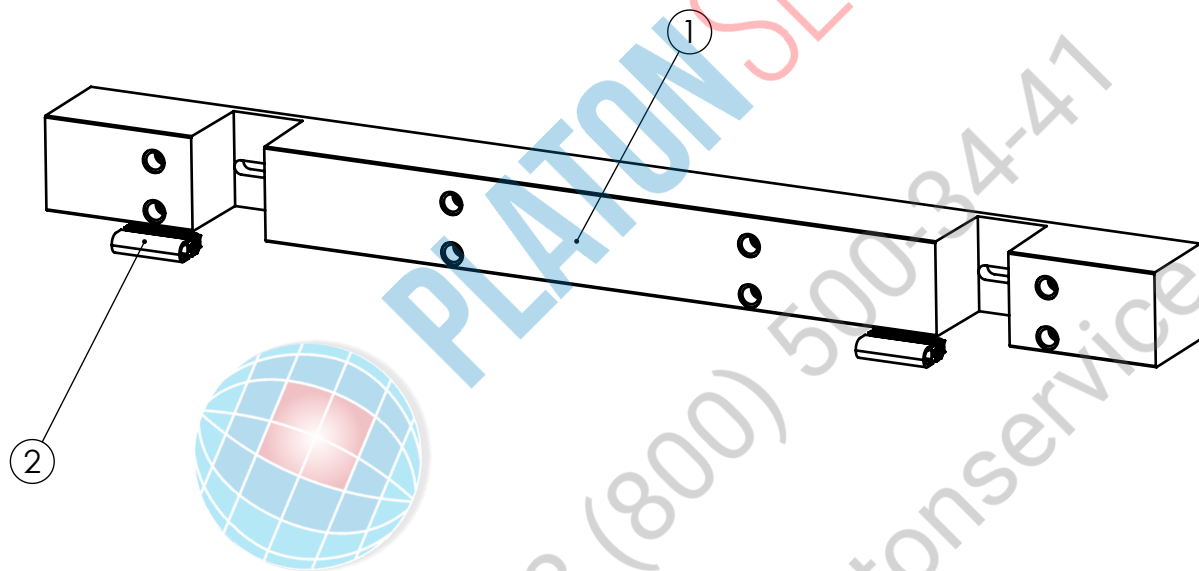
CODICE: **8M12031600**

DESCRIZIONE:

OPZ.CARR.RAT.SCC20/2 MF180.2 ST



POS.	CODICE	Q.TA'
1	67208401	1
2	1011070	0,1



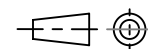
REV.	DESCRIZIONE MODIFICA	AUTORE	DATA
E			
D			
C			
B			
A			

IRINEX[®]

SCALA: 1:5

MODELLO:

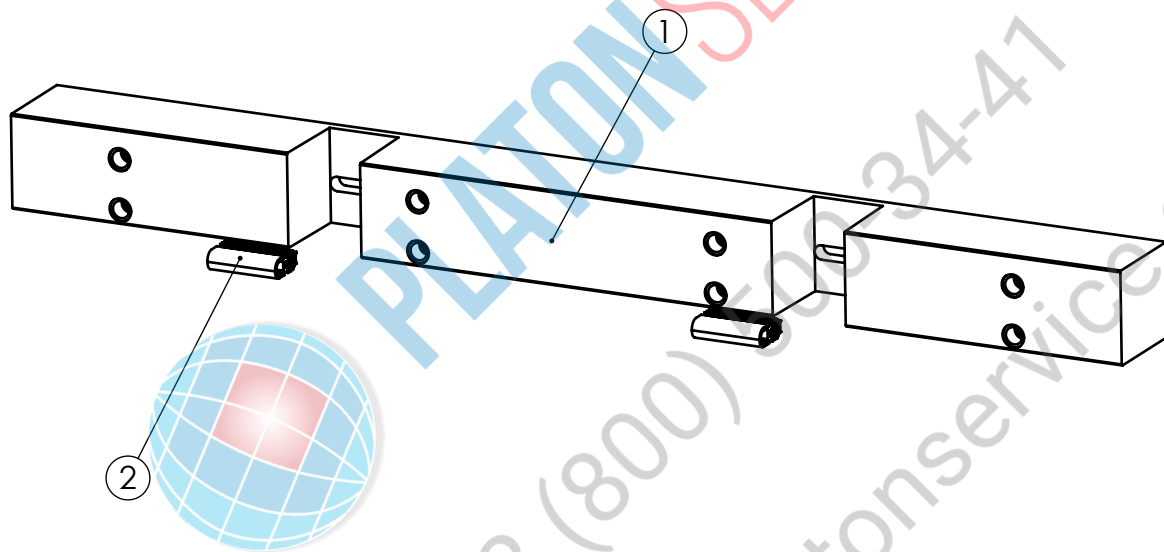
CODICE: **8M12031601**



DESCRIZIONE:

OPZ.CARR.CONV.OEB20.20 MF180.2 ST

POS.	CODICE	Q.TA'
1	67208661	1
2	1011070	0,1



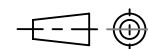
E			
D			
C			
B			
A			
REV.	DESCRIZIONE MODIFICA	AUTORE	DATA

IRINEX[®]

SCALA: 1:5

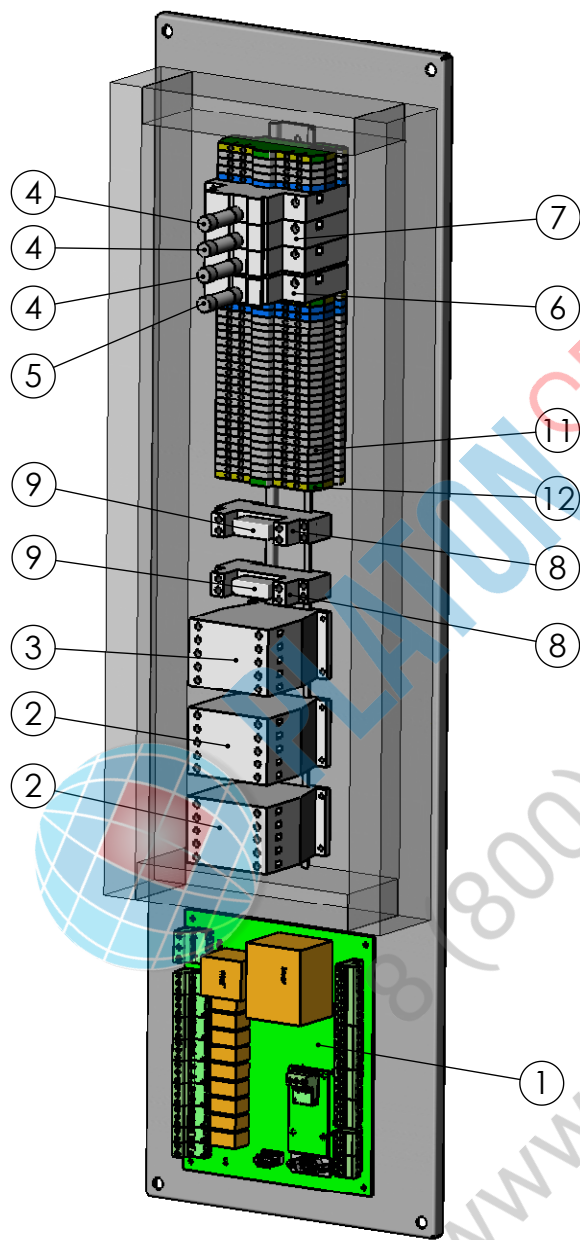
MODELLO:

CODICE: **8M12031602**



DESCRIZIONE:

OPZ.CARR.ELOMA 20-11 MF180.2 ST



POS.	CODICE	Q.TA'
1	3600800	1
2	3312033	2
3	3312032	1
4	3440070	3
5	3440092	1
6	3440140	1
7	3440143	1
8	3320340	2
9	3320376	2
10	3525037	3
11	3525035	25
12	3525038	3

REV.	DESCRIZIONE MODIFICA	AUTORE	DATA
E			
D			
C			
B			
A			

IRINOX

SCALA: 1:5

MODELLO:

CODICE:

41M20210200

DESCRIZIONE:

QUADRO MF300.2

400-3N-50/60

MODELLO	COMPONENTE	GAMMA TENSIONI VOLTAGE RANGE					
MODEL	COMPONENT	400V-3P+N-50Hz	400V-3P+N-60Hz	230V-3P-50Hz	230V-3P-60Hz	200V-3P-50/60Hz	208V-3P-60Hz
MF130.2 ST	Ventilatore evaporatore Evaporator fan	270344001	270344001	270344002	270344002	270344002	270344002
	Elettrovalvola Solenoid valve	2340058	2340058	2340058	2340058	2340058	2340112
	Bobina Coil	2341018	2341018	2341018	2341018	2341018	2341021
	Connettore bobina Coil connector	23425050	23425050	23425050	23425050	23425050	23425070
	Quadro elettrico Junction panel	41M20210200	41M20210200	41M20211100	41M20211100	41M20210600	41M20210800



PLATON SERVICE
 8 (800) 500-34-41
 www.platonservice.com

COD.	ITALIANO	ENGLISH	ESPAÑOL	DEUTSCH
1010620	GUARNIZIONE SOTTOPORTA ARROWELD	UNDER DOOR GASKET	GUARNICIÒN PUERTA ARROWELD	UNTER TÜR DICHTUNG
1011070	GUARN.CARRELLI CONVOTHERM 7001013	TROLLEY GASKET	GUARNICIÒN CESTA	TÜRDICHTUNG
1011380	GUARN.PORTA 820 MF180.2 SR	DOOR GASKET	GUARNICIÒN PUERTA	TÜRDICHTUNG
1890170	CHIUSURA VANTAGE-DOWNU 91-522-52	EVAPORATOR DOOR FASTENING	CIERRE VANTAGE-DOWNU	VERDAMPFERTÜR BEFESTIGUNG
1890175	AGGANCIO X CHIUSURA K4- 2338-52	FASTENING PEG	ENGANCHE CIERRE	SCHLUSSBEFESTIGUNG
1890210	SET PULSANTE X CHIUS. CH920ST/921ST	OPENING DOOR BUTTON SET	BOTÒN CIERRE	TÜROFFNUNG KNOFF
1890242	SEMICERNIERA FISSA	FIXED HINGE	SEMI CHARNELA FIJA	FESTE TÜRSCHARNIER
1890244	SEMICERNIERA MOBILE	MOVING HINGE	SEMI CHARNELA MÒVIL	BEWEGEND TÜRSCHARNIER
1890310	CERNIERA FUTURO CR DX	DOOR HINGE	CHARNELA PUERTA	TÜRSCHARNIER
1890340	COPPIA COPERCHI CERN.FUTURO	PAIR OF HINGE COVERS	PAREJA COBERTERAS PARA LA CHARNELA	TÜRSCHARNIER ABDECKUNGEN
1890360	BASE H.5 CERN.FUTURO BLU	HINGE BASE PLATE H.5	BASE DE LA CHARNELA	TÜRSCHARNIER SOCKEL
1890600	CRUSCOTTO PLAST.MULTIFRESH 420X180	MULTIFRESH DASHBOARD	PANEL MULTIFRESH	MULTIFRESH SHALTTAFEL
2340058	ELETTROV. EVR 15 5/8 SALD.32F1228	ELECTRO VALVE	ELECTROVÀLVULA	MAGNETVENTIL
2341018	BOBINA ELETTROVALVOLA 220V- 50/60HZ	ELECTRO VALVE COIL	BOBINA DE LA ELECTROVÀLVULA	MAGNETVENTIL SPULE
2341603	RESIST. POR MF180.2 SR-ST 71W 230V	DOOR RESISTANCE	RESISTENCIA PUERTA	TÜR WIDERSTAND
2361005	ORIFICIO N. 05 T/TE 2 68-2031	ORIFICIE	ORIFICIO	MÜNDUNG
2783510	GRIGLIA SUPPORTO VENTILATORE D. 400	FAN SUPPORT GRID	REJILLA SUPORTE VENTILADOR	VENTILATOR HALTERUNG GITTER
3240100	CONT.MAGN. E510 UE 1BT410H UL 4,1MT	MAGNET CONTACT	CONTACTO MAGNÉTICO	MAGNETKONTAKT
3240202	MAGNETE M618 SIGILLATO NEODIMIO	NEODYMIUM MAGNET	MAGNETO NEODIMI	NEODYM MAGNET
3240220	MAGNETE NEODIMIO 50X20X5	NEODYMIUM MAGNET 50X20X5	MAGNETO NEODIMI	NEODYM MAGNET 50X20X5
3240250	MAGNETE NEODIMIO 20 X 5 X 5	NEODYMIUM MAGNET 20X5X5	MAGNETO NEODIMI	NEODYM MAGNET 20X5X5
3312032	TELER.MOELLER DILM9-10 276690 230V	CONTACTORS	TELERRUPTOR	SCHÜTZE
3312033	TELER.MOELLER DILM9-01 276725 230V	CONTACTORS	TELERRUPTOR	SCHÜTZE
3320340	ZOCCOLO A MORS. SCHRACK ES 50	RELAY HOLDER	PORTA RELE'	RELAIS HALTERUNG
3320376	RELE' 230 VAC RM 84-2012-25- 5230	RELAY 230 VAC	RELE'	RELAIS 230 VAC
3440070	FUSIBILE 10,3 X 38 10A TIPO AM	FUSE 10,3 X 38 10A	FUSIBLE 10,3 X 38 10A	SICHERUNG 10,3X38 10A
3440092	FUSIBILE 10,3 X 38 2A TIPO GG	FUSE 10,3 X 38 2A	FUSIBLE 10,3 X 38 2A	SICHERUNG 10,3X38 2A

3440140	PORTAFUSIBILE 10.3X38 BCH1X38	FUSE HOLDER 10.3X38	PORTA FUSIBILE	SICHERUNG HALTERUNG 10,3 X 38
3440143	PORTAFUSIBILE 10.3X38 BCH3X38N	FUSE HOLDER 10.3X38	PORTA FUSIBILE	SICHERUNG HALTERUNG 10,3 X 38
3525035	MORSETTO PHOENIX ST2,5 QUATTRO	TERMINAL BLOCK GREY	ABRAZADERA	GRAUE KLEMMLEISTE
3525037	MORSETTO PHOENIX ST2,5 QUATTRO BLU	TERMINAL BLOCK BLUE	ABRAZADERA	BLAUE KLEMMLEISTE
3525038	MORSETTO PHOENIX ST2,5 QUATTRO GV	TERMINAL BLOCK GREEN/YELLOW	ABRAZADERA	GRÜN/GELB KLEMMLEISTE
3563270	CONN.USB DA PANN.F/F A/B "NTNAUSB"	USB PANEL CONNECTOR	CONECTOR	USB TAFEL STECKER
3563275	TAPPO PLASTICA CONN.USB "NTCHSCDX"	STOPPER FOR USB CONNECTOR	TAPÓN EN PLÁSTICA	PLASTIK STOPFEN FÜR USB TAFEL
3600800	SCHEDA GESTIONE MULTI FRESH	MAIN ELECTRONIC BOARD	PLACA ELECTRONICA	HAUPTPLATINE
3600810	SCHEDA FRONTALE MULTI FRESH	FRONTAL ELECTRONIC BOARD	PLACA FRONTAL	FRONTALPLATINE
3805020	PROLUNGA L=3MT X SPILLONE	EXTENSION CABLE L=3MT FOR CORE PROBE	EXTENSIÓN Sonda CORAZÓN	VERLÄNGERUNG L=3M FÜR KERNTEMPERATURFÜHLER
3805140	SONDA ARIA PT1000 L=3300MM C/SCHERM	AIR PROBE PT1000 L=3300MM WITH SHIELD	SONDA AIRE	LUFTFÜHLER PT1000 L=3300MM MIT SCHILD
3805510	SONDA CUORE PT1000 CONICA 5P C/C	CORE PROBE PT1000 5P	SONDA CORAZÓN	KERNTEMPERATURFÜHLER PT1000 5P
3805530	SONDA CUORE PT1000 CONICA C/C	CORE PROBE PT1000 1P	SONDA CORAZÓN	KERNTEMPERATURFÜHLER PT1000 1P
3805540	PROL.L=3MT X Sonda CUORE CONICA 5P	EXTENSION CABLE L=3MT FOR CORE PROBE 5P	EXTENSIÓN Sonda CORAZÓN	KABELVERLÄNGERUNG L=3M FÜR KERNTEMPERATURFÜHLER
3880400	SANIFICATORE IRINOX BXMIRIX230V	SANIFICATION SYSTEM	ESTERILIZANTE	SANIFIKATIONSSYSTEM
4805270	COPERCHIO CORNICE ORIZ.LP 820 45-45	VERTICAL COVER FOR CELL FRAME	COBERTERA MARCO	VERTIKAL ZELLENRAHME ABDECKUNG
4805290	COPERCHIO SX CORNICE VERTICALE SR-ST	HORIZONTAL COVER FOR CELL FRAME	COBERTERA MARCO	HORIZONTAL ZELLENRAHME ABDECKUNG
4805310	COPERCHIO DX CORNICE VERTICALE SR-ST	VERTICAL COVER FOR CELL FRAME	COBERTERA MARCO	VERTIKAL ZELLENRAHME ABDECKUNG
21000015	VALV. AERATORE C/MENBR.D.40 HL904	AERATOR VALVE D.40	VALVÚLA AERADOR	LÜFTERVENTIL
23425050	CONNET.X PRESS./EL. E153N20021 MPM	ELECTRO VALVE CONNECTOR	CONECTOR ELECTROVALVÚLA	MAGNETVENTIL STECKER
23605051	VALV.TERM.DANF.TES 2 NM MOP 68Z3407	THERMOSTATIC VALVE	VALVÚLA TERM.	EXPANSIONSVENTIL
40071080	ASSIEME TAPPO PILETTA INOX	COUPLING RAMP PIN	CLAVIJA GANCHO RAMPA	ZAPFEN FÜR RAMPENANKOPPLUNG
40071200	MOLLA RITORNO MANIGLIA	SPRING FOR HANDLE RETURN	MUELLE MANIJA	FEDER FÜR GRIFF

40071260	MOLLA TRAZ. RITORNO NASELLO	SPRING FOR DOOR FASTENING	MUELLE GANCHO PUERTA	FEDER FÜR TÜRBESTIGUNG
40072050	SNAP LOOK X SP. 8/10 MASCHIO M6	SNAP LOOK MALE	SNAP LOOK	SNAP LOOK MALE
40072060	SNAP LOOK X SP. 8/10 FEMMINA	SNAP LOOK FEMALE	SNAP LOOK	SNAP LOOK WEIBLICH
40079080	MANIGLIA CURVA D.33.7 ABBATTITORI	HANDLE D.33.7	MANIJA	TÜRGRIF
40080081	PIEDINO INOX D.60 H.210-310	STEEL FOOT	PATA INOX	FUSS INOX
40207100	EVAPORATORE COMPLETO MF180.2	EVAPORATOR	EVAPORADOR	VERDAMPFER
66207490	TRAVERSA FIX GUARN.SOTTOPORTA L820	UNDER DOOR GASKET SUPPORT	SUPORTE GUARNICIÒN PUERTA	UNTERTÜR DICHTUNG HALTERUNG
67206335	AGGANCIO NASELLO AISI 304	DOOR FASTENING TOOTH	GANCHO	TÜBEFESTIGUNG VERSCHLUSS
67206405	SUPPORTO SONDA CUORE CELLE OPP.	CORE PROBE BRACKET	SUPORTE SONDA CORAZÒN	KERTEMPORATURFÜHLER HALTERUNG
67206410	STAFFA AGG.NASELLO POR.DX PORTE 100	DOOR FASTENING BRACKET	ESTRIBO GANCHO PUERTA	TÜRBESTIGUNG HALTER
67208401	BATTUTA CARR.CONVOTHERM OEB2020 MF	BASE FOR CONVOTHERM TROLLEY	BASE PARA CARRO CONVOTHERM	ANPASSUNG FÜR HORDENWAGEN CONVOTHERM
67208481	BATTUTA CARRELLO RATIONAL SCC2/1 MF	BASE FOR RATIONAL TROLLEY SCC 201 PART.A	BASE PARA CARRO RATIONAL PART.A	ANPASSUNG FÜR HORDENWAGEN RATIONAL SCC201 PART.A
67208486	BATTUTA CARR.RAT.SCC2/1 X PORTA MF	BASE FOR RATIONAL TROLLEY SCC 201 PART.B	BASE PARA CARRO RATIONAL PART.B	ANPASSUNG FÜR HORDENWAGEN RATIONAL SCC201 PART.B
67208499	BATTUTA LAT CAR.RAT.SCC201 FONDO MF	BASE FOR RATIONAL TROLLEY SCC 201 PART.C	BASE PARA CARRO RATIONAL PART.C	ANPASSUNG FÜR HORDENWAGEN RATIONAL SCC201 PART.C
67208661	BATTUTA CARR.ELOMA 20-11 MF180.2 ST	BASE FOR ELOMA TROLLEY	BASE PARA CARRO ELOMA	ANPASSUNG FÜR HORDENWAGEN ELOMA
67209320	ASS. PROTEZIONE FUNGO	OPENING DOOR BUTTON PROTECTION	CONJUNTO PROTECCIÒN BOTÒN PUERTA	TÜROFFNUNG SCHUTZ
68140810	PIASTR.COPERT.CRUSCOTTO	DASHBOARD COVER PLATE	COBERTERA DEL PANEL FRONTAL	SCHALTAFEL ABDECKBLENDE
68203960	COPERTURA AGG.NASELLO PORTE DX H100	DOOR FASTENING COVER	COBERTERA GANCHO PUERTA	TÜRBESTIGUNG ABDECKUNG
68203970	COPERTURA MANIGLIA	HANDLE COVER	COBERTERA MANIJA	TÜRGRIF ABDECKUNG
68203980	PERNO PER MANIGLIA	HANDLE PIVOT	GORRÒN DE LA MANIJA	TÜRGRIF DREHZAPFEN
68203990	ASSIEME FERMO A 120° PER CERN.	HINGE LATCH DOOR 120°	CONJUNTO BLOQUEO A 120° DE LA CHARNELA	TÜRSCHARNIER VERRIEGELUNG 120°
68204020	ASSIEME SUPPORTO MANIGLIA COMUNE	HANDLE SUPPORT SET	CONJUNTO SUPORTE MANIJA	TÜRGRIF HALTERUNG
68204060	ASSIEME LEVERISMO DX	HANDLE MOVEMENT SET	CONJUNTO BARRA A LA DERECHA	TÜRGRIF BEWEGUNG SET
68204100	STAFFA FISSAGGIO MAGNETE PORTA	DOOR MAGNET FIXING BRACKET	ESTRIBO AJUSTE MAGNETO PUERTA	TÜRMAGNET HALTERUNG

68210550	FONDELLO PER VENTILATORE D. 500	FAN MOTOR COVER	FONDILLO PARA EL VENTILADOR	VENTILATOR ABDECKUNG
68210810	BACINELLA	EVAPORATOR BASIN	BARREÑO EVAPORADOR	VERDAMPER SCHALE
270344001	VENT.PREM. A4D400-AN14-05 400V/50HZ	EVAPORATOR FAN	VENTILADOR	VERDAMPFER VENTILATOR
4380100010	SERIGRAFIA FRONT.SCHEDA MULTI FRESH	MULTI FRESH DASHBOARD ADHESIVE PANEL	SERIGRAFÍA FRONTAL PLACA ELECTRONICA	FOLIE FÜR MULTIFRESH FRONTALE PLATINE
4380100020	SERIGRAFIA LOGO IRINOX MULTI FRESH	MULTI FRESH IRINOX LOGO ADHESIVE PANEL	SERIGRAFÍA LOGO IRINOX	FOLIE MULTIFRESH IRINOX LOGO
41M00000000	QUADRO DERIV. UL EVAP. MF 1T-2T-3T	DERIVATION ELECTRICAL PANEL MF 1T-2T-3T	CUADRO DERIVACIÓN EVAPORADOR	ELEKTROSCHALTERBRETT VERDAMPFER MF 1T-2T-3T
41M20210200	QUADRO MF300.2 400-3N-50/60	ELECTRICAL PANEL	CUADRO	ELEKTROSCHALTERBRETT



PLATON SERVICE

8 (800) 500-34-47

www.platonservice.com